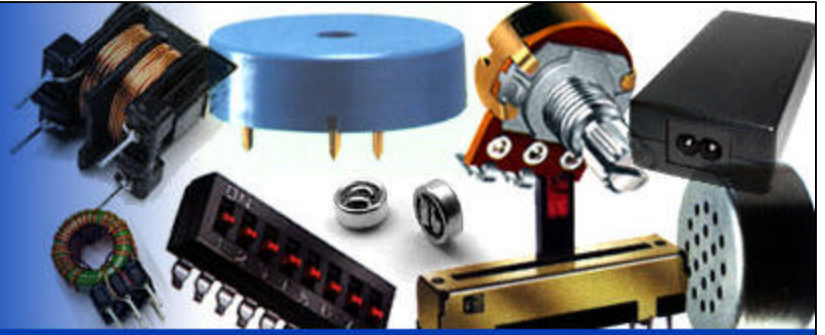


# ISL Products

Manufacturers of Quality  
Components & Assemblies



## VCH26180W - Piezo Buzzer

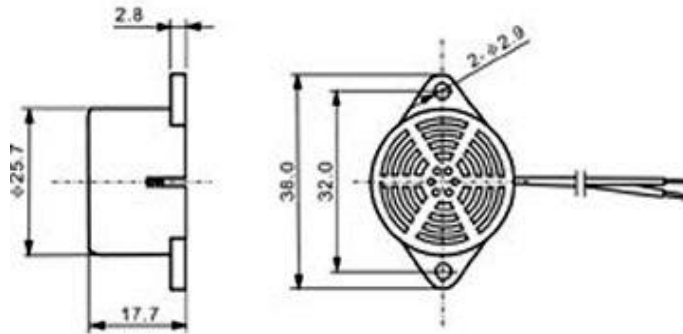


### Specifications

Rated Voltage (Vdc)	12
Operating Voltage (Vdc)	9~ 15
Rated Current (mA)	40max
Sound Output at 30cm(dB)	90
Resonant Frequency (Hz)	400±100
Static Capacitance at 120Hz(pF)	
Operating Temperature (°C)	-20~ +70
Storage Temperature (°C)	-30~ +80

### VCH26180W-12V-400

### Dimensions (Unit: mm)



Copyright © 2003 ISL Products International, Trademarks are all property of their respective owners.

"ISL Products International Ltd. is an engineering oriented manufacturer and supplier of standard and custom electronic and electro - mechanical transformer and connector products.