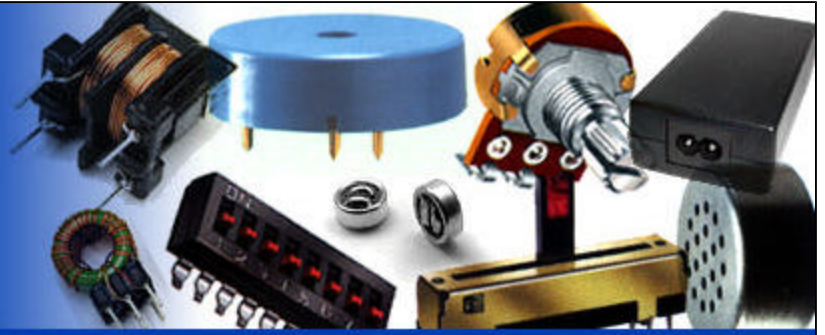


ISL Products

Manufacturers of Quality
Components & Assemblies



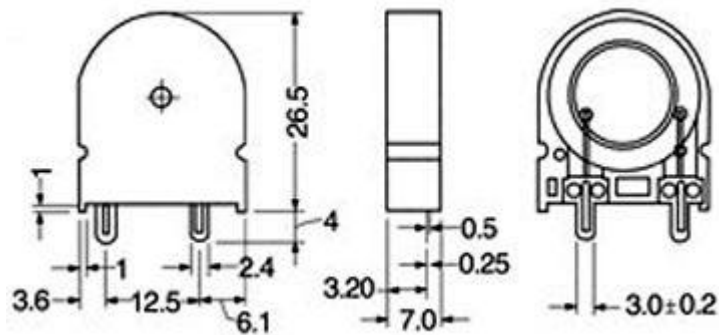
PQ272207 - Piezo Transducer (External Drive)



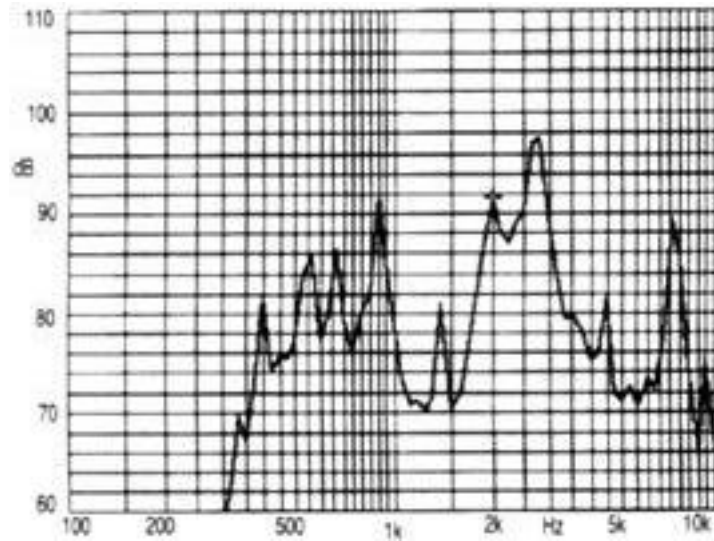
Specifications

	PQ272207-18C-2000	PQ272207-18C-2400
Rated Voltage (Vp-p)	12	12
Operating Voltage (Vp-p)	30	30
Rated Current (mA)	6	6
Capacitance (pF)	18000±30%	18000±30%
Sound Pressure Level (dB)	Min.80/12v at 10cm	Min.80/12v at 10cm
Resonant Frequency (Hz)	2000±500	2400±500
Operating Temperature (°C)	-20~ +70	-20~ +70
Storage Temperature (°C)	-30~ +70	-30~ +70
Weight (g)	1.5	1.5

Dimensions (Unit: mm)



Frequency Response



Copyright © 2003 ISL Products International, Trademarks are all property of their respective owners.

"ISL Products International Ltd. is an engineering oriented manufacturer and supplier of standard and custom electronic and electro - mechanical transformer and connector products.