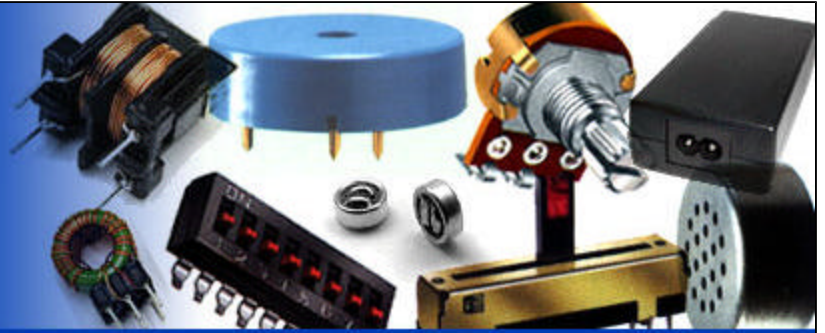


ISL Products

Manufacturers of Quality
Components & Assemblies



PH44140 - Piezo Transducer (External Drive)



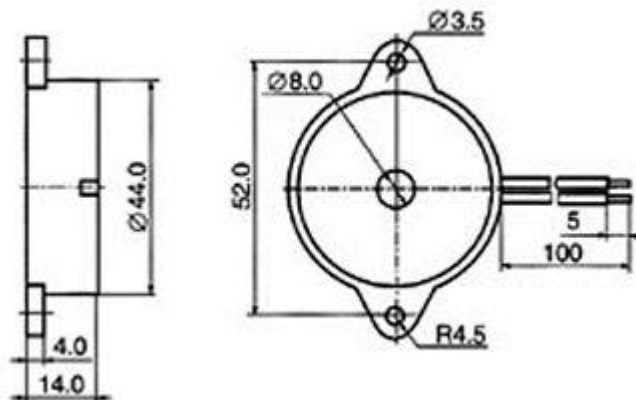
Specifications

Rated Voltage (Vp-p) Square Wave)
Operating Voltage (Vp-p)
Rated Current (mA)
Capacitance at 120Hz(pF)
Sound Output at 4KHz,10cm (dB)
Resonant Frequency (Hz)
Operating Temperature (°C)
Storage Temperature (°C)
Weight (g)

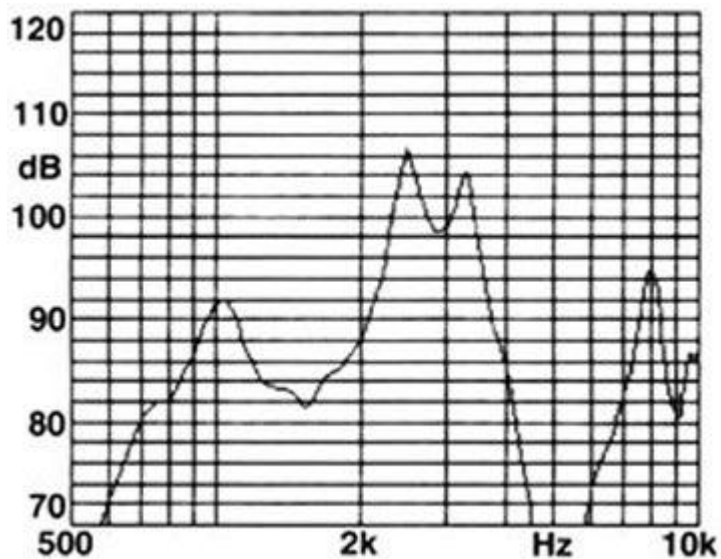
PH44140-80C-1100

12
1~ 30
= 5
80000±30%
= 85
1100±300
-20~ +60
-30~ +70
12

Dimensions (Unit: mm)



Frequency Response



Copyright © 2003 ISL Products International, Trademarks are all property of their respective owners.

"ISL Products International Ltd. is an engineering oriented manufacturer and supplier of standard and custom electronic and electro - mechanical transformer and connector products.