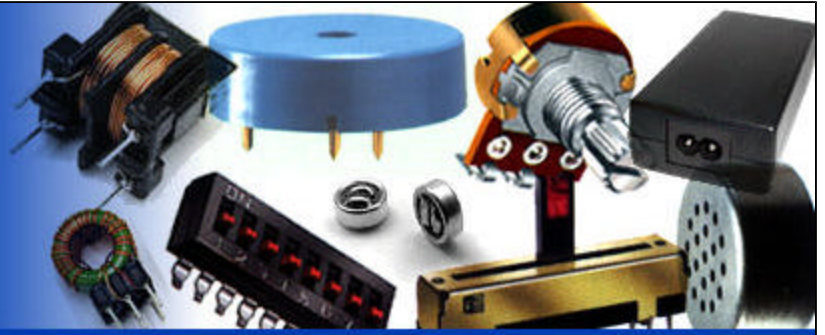


ISL Products

Manufacturers of Quality
Components & Assemblies



PH23045W - Piezo Transducer (External Drive)



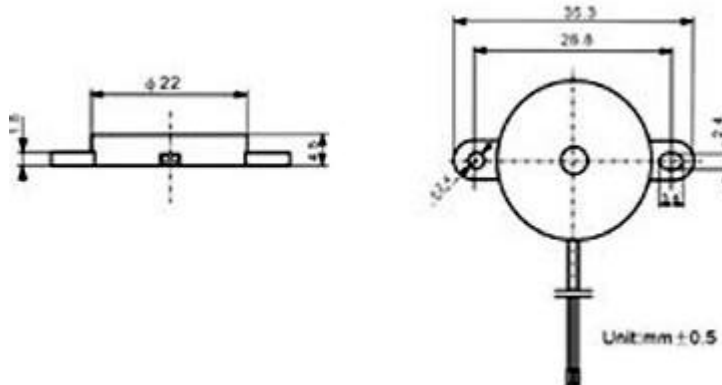
Specifications

Rated Voltage (Vp-p) 12
Operating Voltage (Vp-p) 3~ 30
Rated Current (mA) 5max
Sound Output at 10cm (dB) 80
Resonant Frequency (Hz) 4000±500
Static Capacitance at 1kHz (pF) 24000±30%
Operating Temperature (°C) -20~ +70
Storage Temperature (°C) -30~ +80

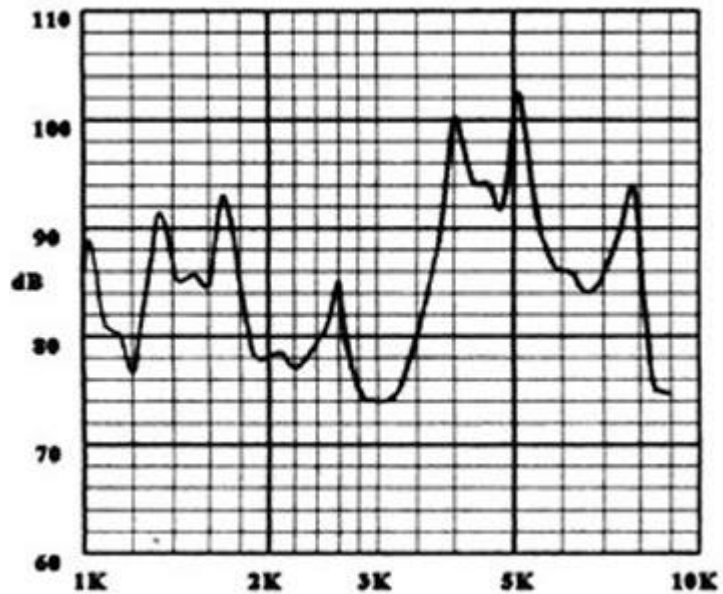
PH23045W-24C-4000

12
3~ 30
5max
80
4000±500
24000±30%
-20~ +70
-30~ +80

Dimensions (Unit: mm)



Frequency Response



Copyright © 2003 ISL Products International, Trademarks are all property of their respective owners.

"ISL Products International Ltd. is an engineering oriented manufacturer and supplier of standard and custom electronic and electro - mechanical transformer and connector products.