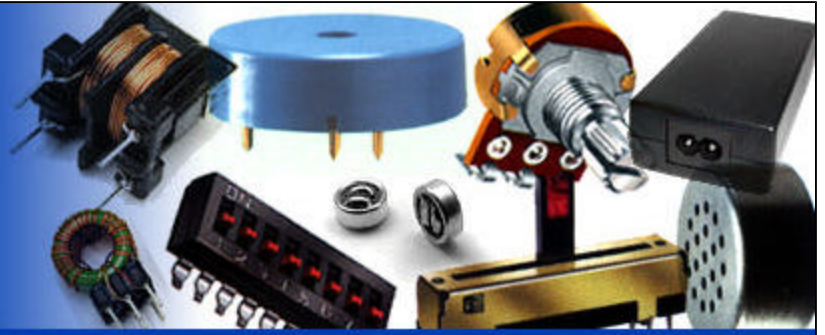


ISL Products

Manufacturers of Quality
Components & Assemblies



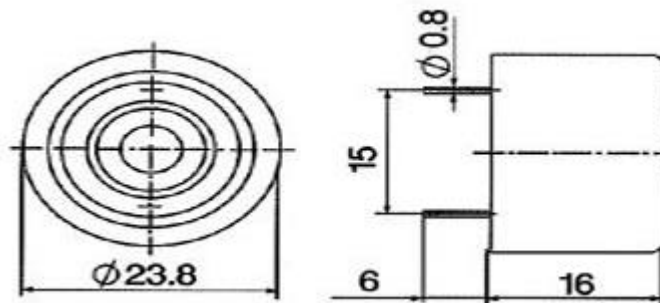
PCW23160 - Piezo Buzzer



Specifications

	PCW23160-6V	PCW23160-9V	PCW23160-12V
Rated Voltage (Vdc)	6V	9V	12V
Operating Voltage (Vdc)	3~ 20		
Rated Current at Rated Voltage (mA)	= 15	= 15	= 18
Sound Output at 10cm(dB)	= 80	= 85	= 87
Resonant Frequency (Hz)		3400±500	
Operating Temperature(°C)		-20~ +60	
Storage Temperature(°C)		-30~ +70	
Weight (g)		5	

Dimensions (Unit: mm)



Copyright © 2003 ISL Products International, Trademarks are all property of their respective owners.

"ISL Products International Ltd. is an engineering oriented manufacturer and supplier of standard and custom electronic and electro - mechanical transformer and connector products.