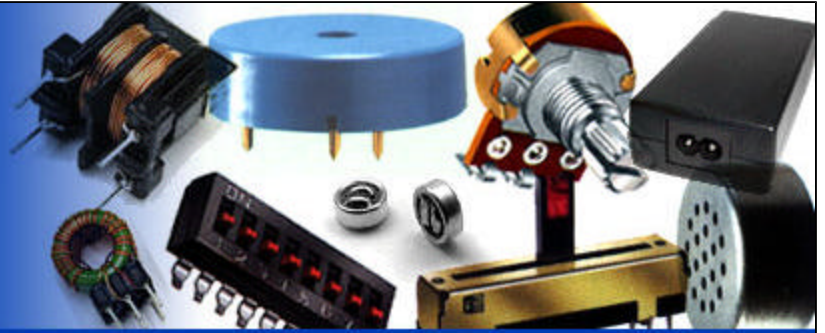


ISL Products

Manufacturers of Quality
Components & Assemblies



PCW23098 - Piezo Buzzer

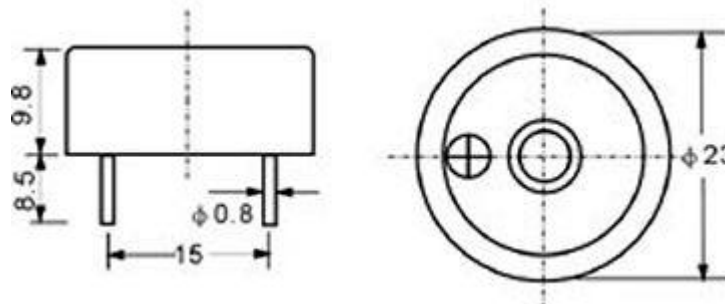


Specifications

Rated Voltage (Vdc)	12
Operating Voltage (Vdc)	3~ 20
Rated Current (mA)	12max
Sound Output at 30cm(dB)	90
Resonant Frequency (Hz)	3600±500
Operating Temperature (°C)	-30~ +70
Storage Temperature (°C)	-40~ +80

PCW23098-12V-3200

Dimensions (Unit: mm)



Copyright © 2003 ISL Products International, Trademarks are all property of their respective owners.

"ISL Products International Ltd. is an engineering oriented manufacturer and supplier of standard and custom electronic and electro - mechanical transformer and connector products.