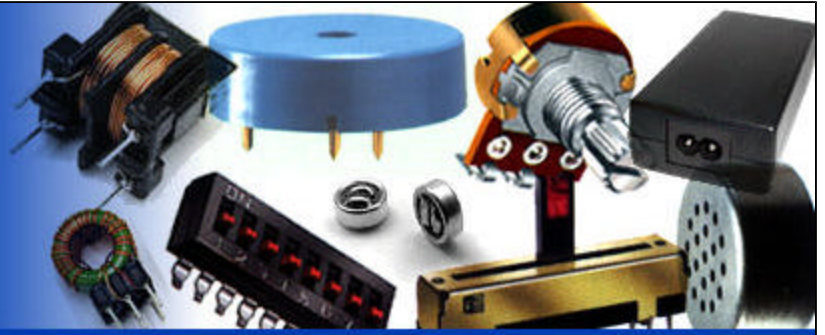


# ISL Products

Manufacturers of Quality  
Components & Assemblies



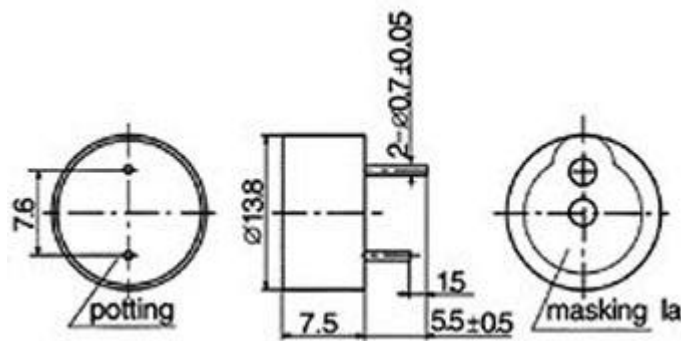
## PCW14075 - Piezo Buzzer



### Specifications

	PCW14075-12V-4000	PCW14075-12V-4800
Rated Voltage (VDC)		12
Operating Voltage (VDC)		3~ 16
Rated Current (mA)	= 7	= 10
Sound Output at 10cm(dB)	= 80	= 85
Resonant Frequency (Hz)	4000±500	4800±500
Operating Temperature (°C)		-20~ +70
Storage Temperature (°C)		-30~ +80

### Dimensions (Unit: mm)



Copyright © 2003 ISL Products International, Trademarks are all property of their respective owners.

"ISL Products International Ltd. is an engineering oriented manufacturer and supplier of standard and custom electronic and electro - mechanical transformer and connector products.