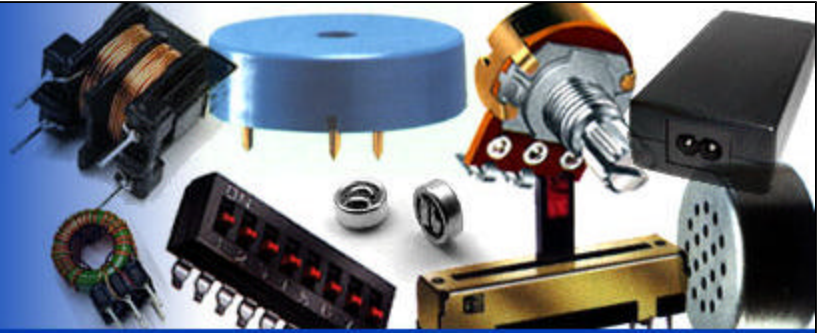


ISL Products

Manufacturers of Quality
Components & Assemblies



[Contact Us](#)

[Home](#)

[Profile](#)

[Search](#)

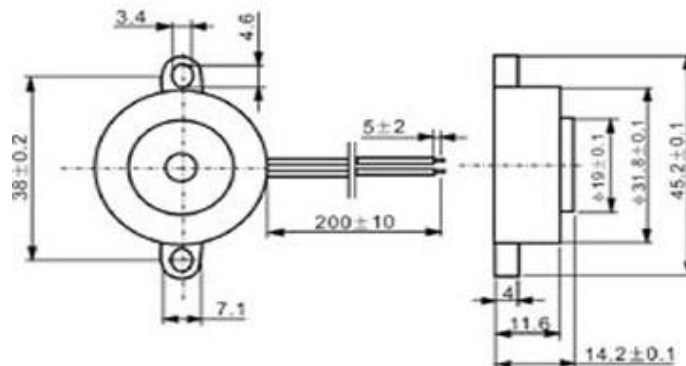
PCH32140W - Piezo Buzzer



Specifications

	PCH32140W-12V-4000
Rated Voltage (Vdc)	12
Operating Voltage (Vdc)	2.5~ 27
Rated Current (mA)	10max
Sound Output at 30cm(dB)	90
Resonant Frequency (Hz)	4000±500
Static Capacitance at 120Hz(pF)	
Operating Temperature (°C)	-20~ +60
Storage Temperature (°C)	-30~ +70

Dimensions (Unit: mm)



Copyright © 2003 ISL Products International, Trademarks are all property of their respective owners.

"ISL Products International Ltd. is an engineering oriented manufacturer and supplier of standard and custom electronic and electro - mechanical transformer and connector products.