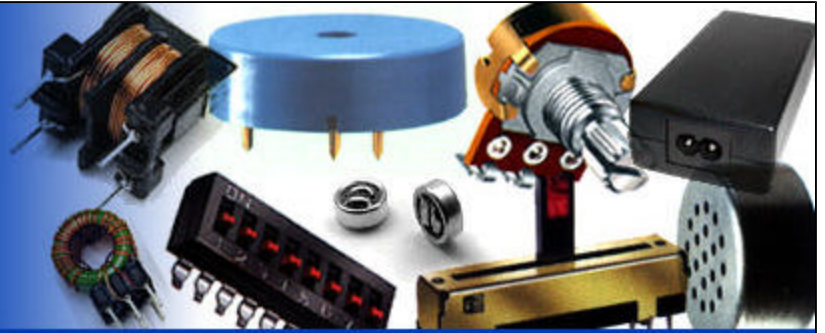


ISL Products

Manufacturers of Quality
Components & Assemblies



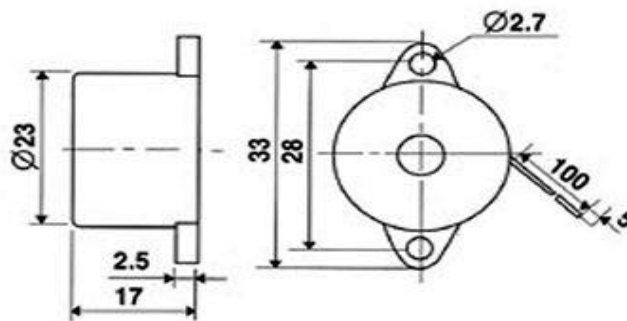
PCW23170W - Piezo Buzzer



Specifications

	PCH23170W-12V-3700
Rated Voltage (Vdc)	12
Operating Voltage (Vdc)	3~ 18
Rated Current (mA)	= 8
Sound Output at Level (dB)	90Min 30cm/DC12V
Oscillating Frequency (Hz)	3700±500
Operating Temperature (°C)	-20~ +70
Storage Temperature (°C)	-30~ +80
Weight (g)	5

Dimensions (Unit: mm)



Copyright © 2003 ISL Products International, Trademarks are all property of their respective owners.

"ISL Products International Ltd. is an engineering oriented manufacturer and supplier of standard and custom electronic and electro - mechanical transformer and connector products.