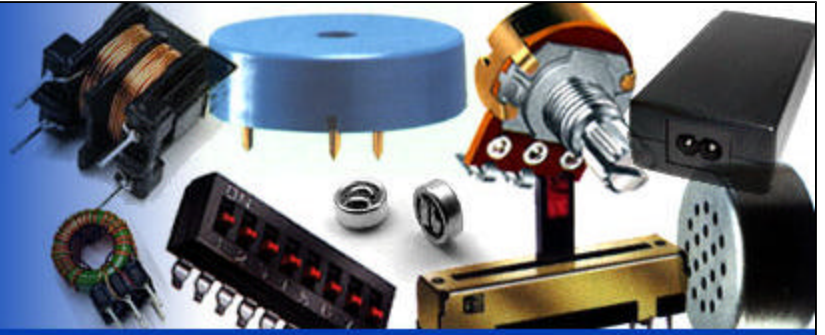


ISL Products

Manufacturers of Quality
Components & Assemblies



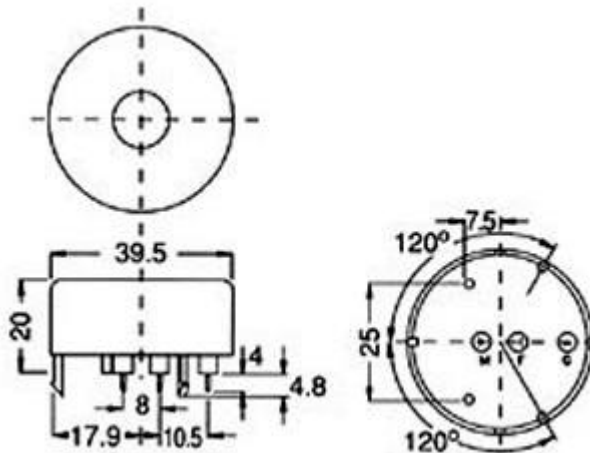
P40020P3 - Piezo Transducer



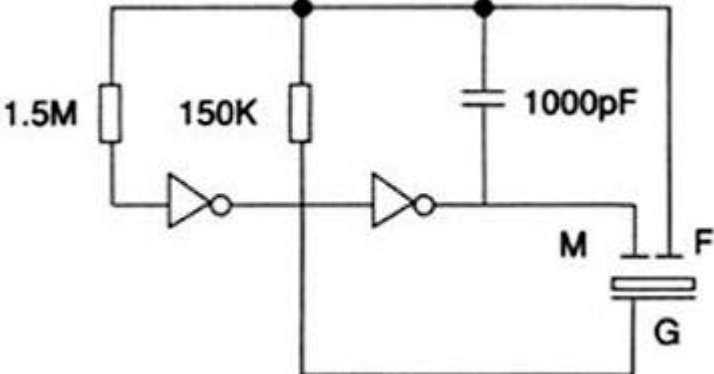
Specifications

Rated Voltage (Vdc)	9
Operating Voltage (Vdc)	5~ 15
Rated Current (mA)	15max
Sound Output at 10cm(dB)	100
Resonant Frequency (Hz)	3400±500
Static Capacitance at 1kHz(pF)	
Operating Temperature (°C)	-20~ +70
Storage Temperature (°C)	-30~ +80

Dimensions (Unit: mm)



Frequency Response



Copyright © 2003 ISL Products International, Trademarks are all property of their respective owners.

"ISL Products International Ltd. is an engineering oriented manufacturer and supplier of standard and custom electronic and electro - mechanical transformer and connector products.