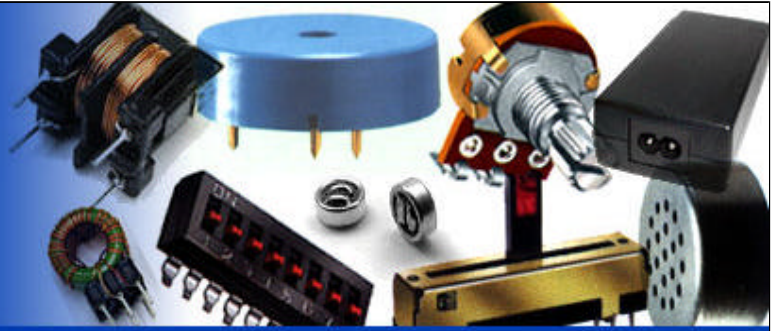


ISL Products

Manufacturers of Quality
Components & Assemblies



P35020W - Piezo Transducer (External Drive)

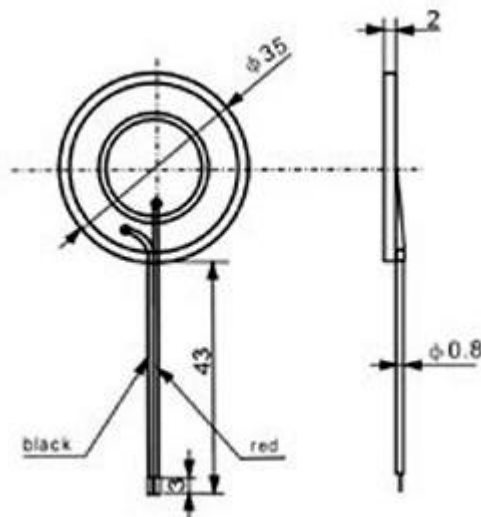


Specifications

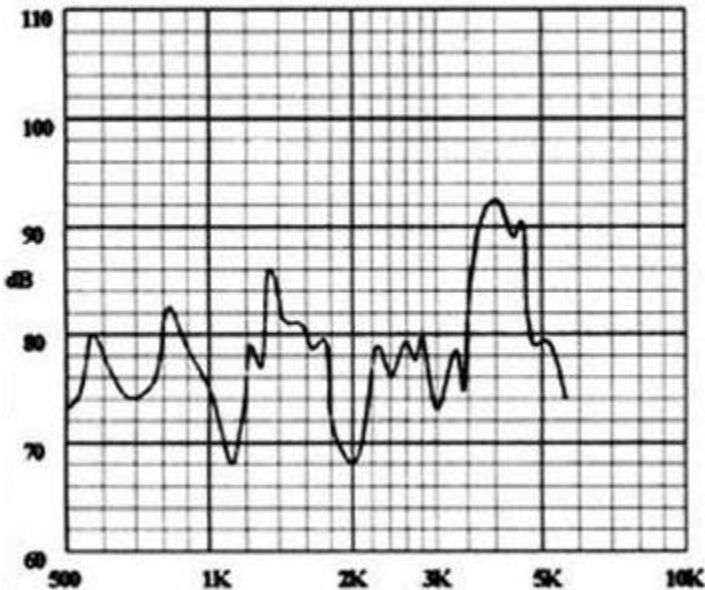
Rated Voltage (V)	12
Operating Voltage (V)	1~ 30
Rated Current (mA)	3max
Sound Output at 10cm(dB)	75
Resonant Frequency (Hz)	1300±500
Static Capacitance at 1kHz(pF)	45000±30%
Operating Temperature (°C)	-20~ +60
Storage Temperature (°C)	-30~ +70

P35020W-45C-1300

Dimensions (Unit: mm)



Frequency Response



Copyright © 2003 ISL Products International, Trademarks are all property of their respective owners.

"ISL Products International Ltd. is an engineering oriented manufacturer and supplier of standard and custom electronic and electro - mechanical transformer and connector products.