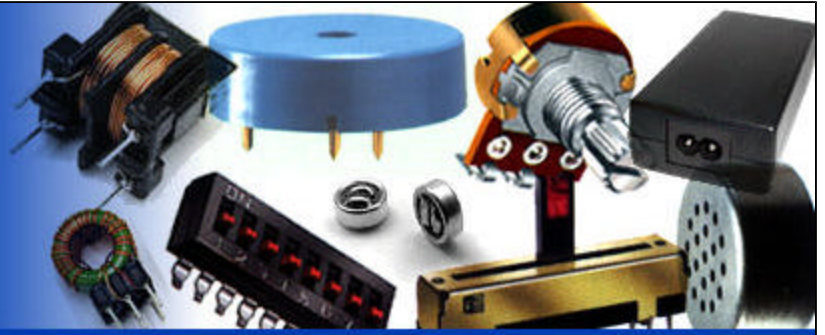


ISL Products

Manufacturers of Quality
Components & Assemblies



P30125P3 - Piezo Transducer (Self-Drive)

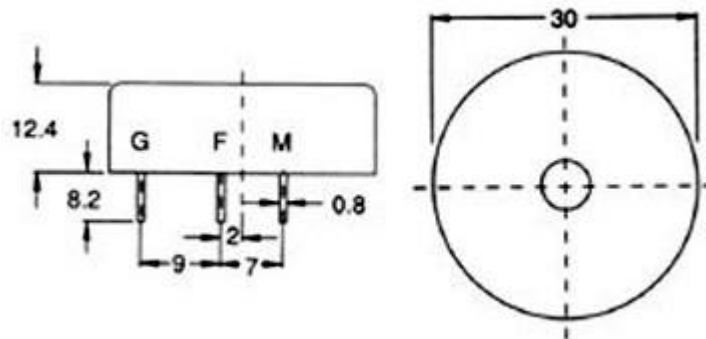


Specifications

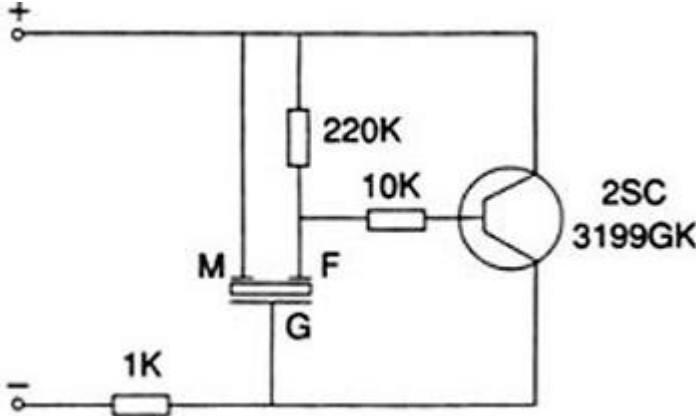
P30125P3-12V-3600

Rated Voltage (Vdc)	12
Operating Voltage (Vdc)	3- 20
Rated Current (mA)	10max
Sound Output at 10cm (dB)	88
Resonant Frequency (Hz)	3600±500
Static Capacitance at 120Hz(pF)	
Operating Temperature (°C)	-20- +60
Storage Temperature (°C)	-30- +70

Dimensions (Unit: mm)



Frequency Response



Copyright © 2003 ISL Products International, Trademarks are all property of their respective owners.

"ISL Products International Ltd. is an engineering oriented manufacturer and supplier of standard and custom electronic and electro - mechanical transformer and connector products.