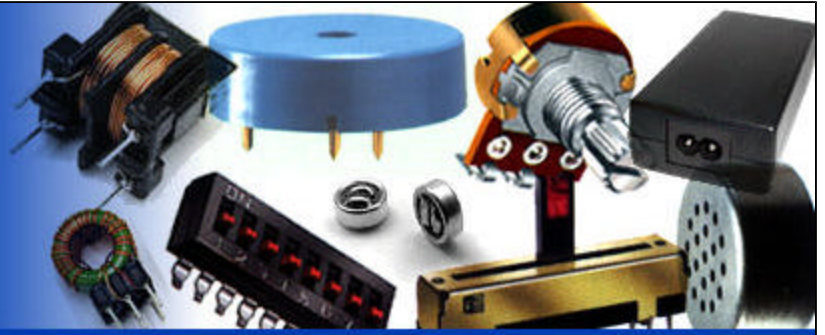


ISL Products

Manufacturers of Quality
Components & Assemblies



P30105 - Piezo Transducer (External Drive)

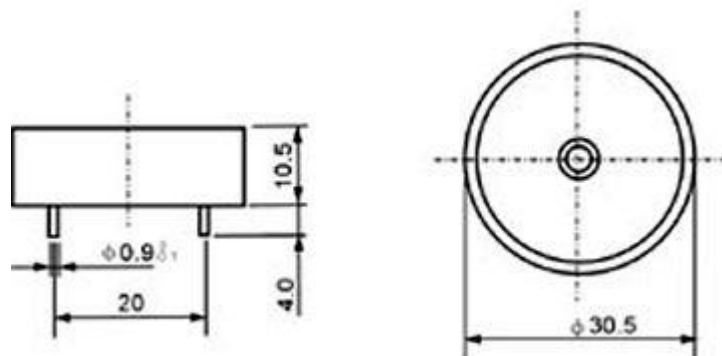


Specifications

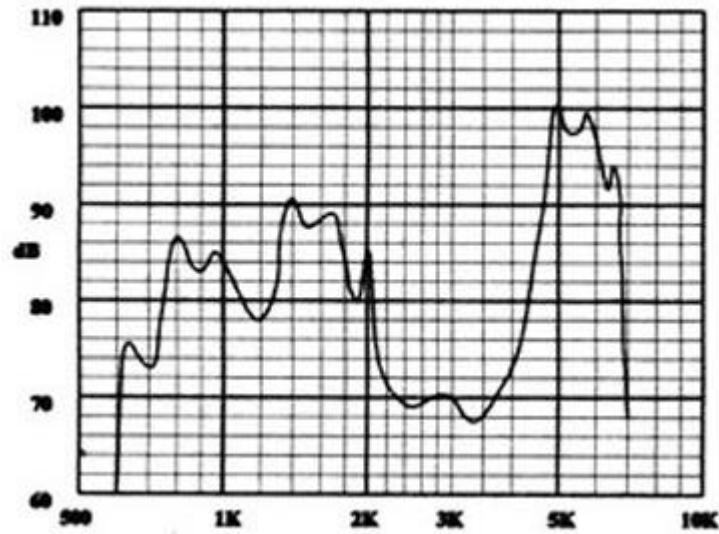
Rated Voltage (Vp-p)	10
Operating Voltage (Vp-p)	2~ 30
Rated Current (mA)	8.0max
Sound Output at 10cm(dB)	70
Resonant Frequency (Hz)	1100±500
Static Capacitance at 1kHz(pF)	35000±30%
Operating Temperature (°C)	-20~ +70
Storage Temperature (°C)	-30~ +80

P30105-35C-1100

Dimensions (Unit: mm)



Frequency Response



Copyright © 2003 ISL Products International, Trademarks are all property of their respective owners.

"ISL Products International Ltd. is an engineering oriented manufacturer and supplier of standard and custom electronic and electro - mechanical transformer and connector products.