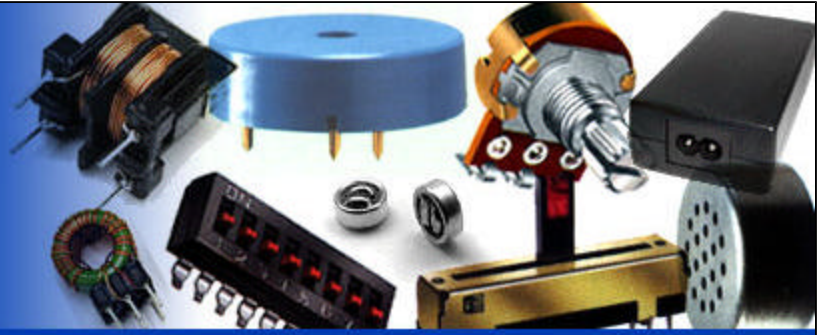


ISL Products

Manufacturers of Quality
Components & Assemblies



P24110P3 - Piezo Transducer (Self-Drive)

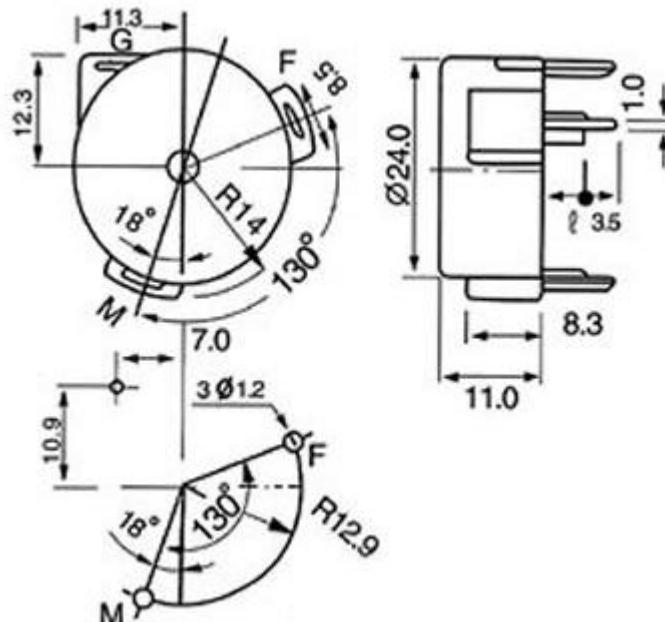


Specifications

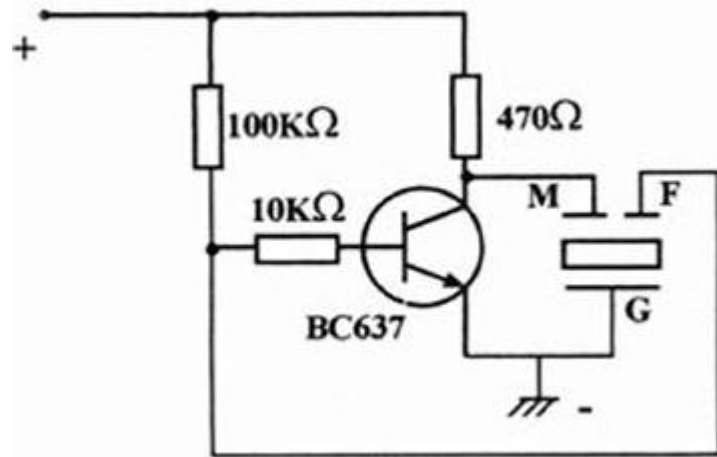
Rated Voltage (Vdc)	12
Operating Voltage (Vdc)	3~ 20
Rated Current (mA)	= 12
Capacitance at 120Hz(pF)	15000±30%
Sound Output at 10cm(dB)	= 90
Resonant Frequency (Hz)	3800±400
Operating Temperature (°C)	-20~ +70
Storage Temperature (°C)	-30~ +80
Weight (g)	3

P24110P3-15C-3800

Dimensions (Unit: mm)



Frequency Response



Copyright © 2003 ISL Products International, Trademarks are all property of their respective owners.

"ISL Products International Ltd. is an engineering oriented manufacturer and supplier of standard and custom electronic and electro - mechanical transformer and connector products.