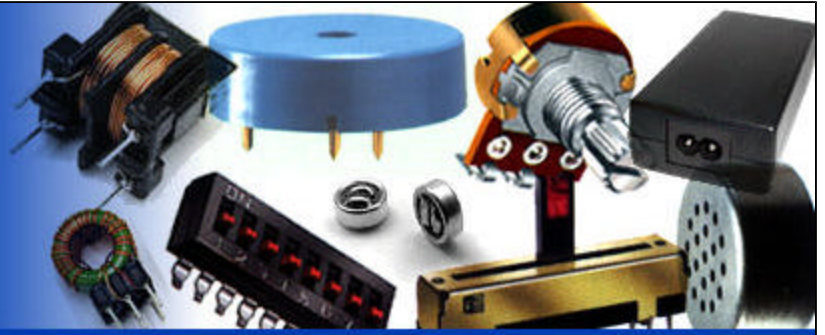


ISL Products

Manufacturers of Quality
Components & Assemblies



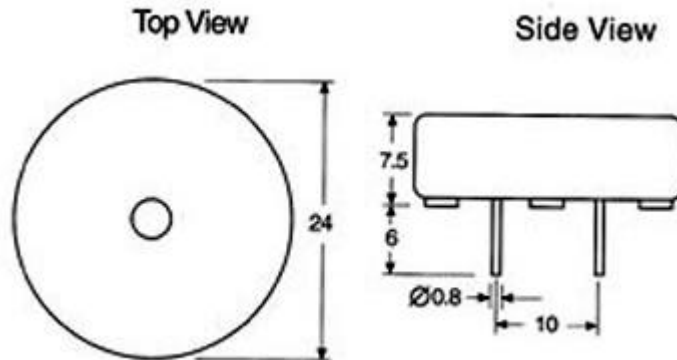
P24075 - Piezo Transducer (External Drive)



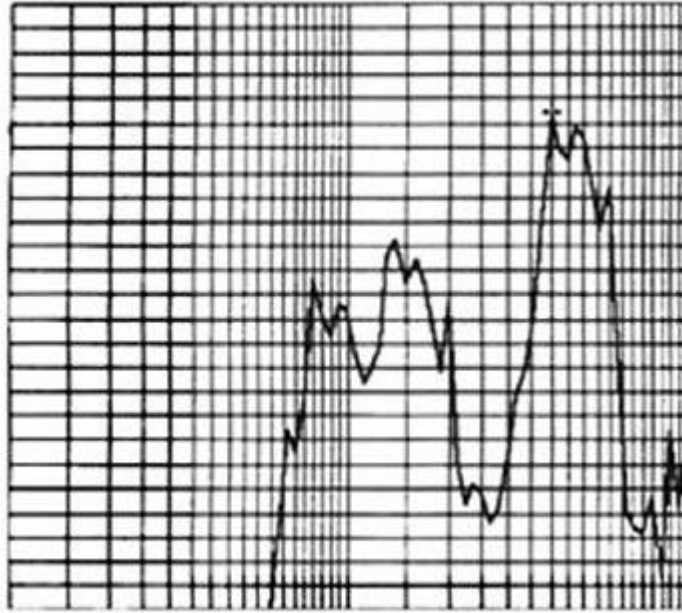
Specifications

	P24075-13C-4000	P24075-17C-4000
Rated Voltage (Vp-p)	9	9
Operating Voltage (Vp-p)	3~ 30	3~ 30
Rated Current (mA)	1	3
Frequency at Rated Voltage (Hz)	4000±500	4000±500
Min Sound Pressure at Rated Voltage (dB)	95/at 10cm,9V	85/at 10cm,9V
Static Capacitance at 120Hz(pF)	13000±30%	17000±30%
Temperature Range (°C)	-20~ +70	-20~ +70

Dimensions (Unit: mm)



Frequency Response



Copyright © 2003 ISL Products International, Trademarks are all property of their respective owners.

"ISL Products International Ltd. is an engineering oriented manufacturer and supplier of standard and custom electronic and electro - mechanical transformer and connector products.