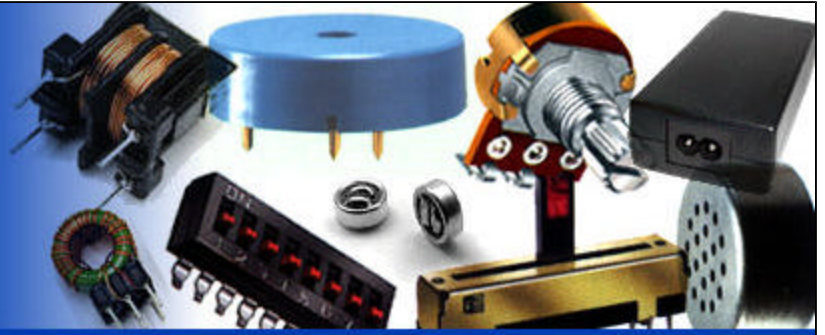


ISL Products

Manufacturers of Quality
Components & Assemblies



P23098 - Piezo Transducer (External Drive)



Specifications

Rated Voltage (Vp-P)

Max Input Voltage (Vp-p)

Rated Current (mA)

Capacitance (pF)

Sound Pressure Level (dB)

Resonant Frequency (Hz)

Temperature Range (°C)

Tone

P23098-15C-3200

30

21~ 32

12

15000±30%

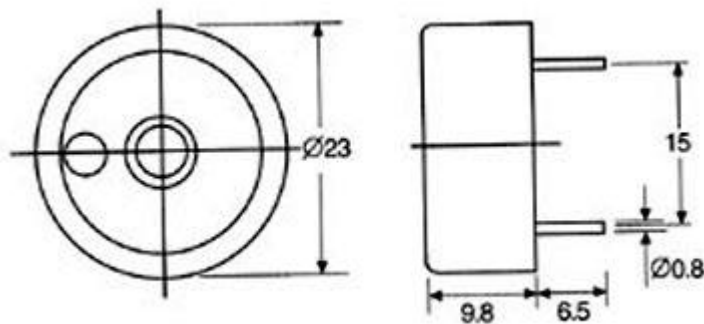
95/at 30cm,30V

3400±500

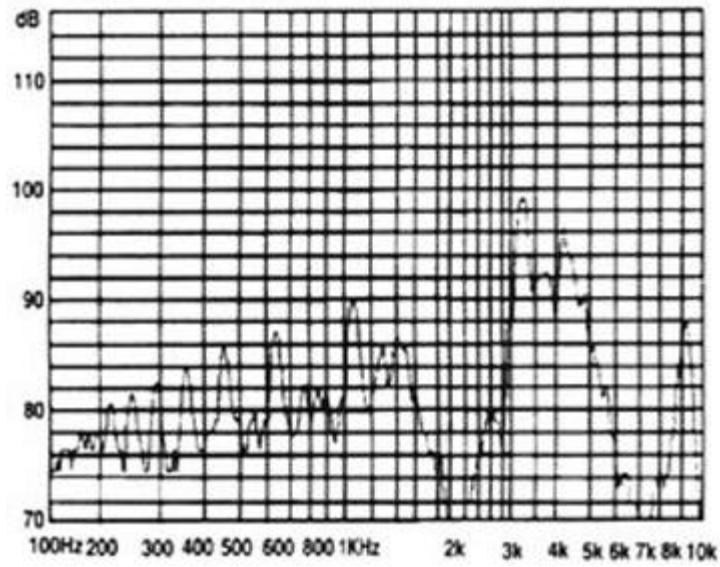
-20~ +70

Single

Dimensions (Unit: mm)



Frequency Response



Copyright © 2003 ISL Products International, Trademarks are all property of their respective owners.

"ISL Products International Ltd. is an engineering oriented manufacturer and supplier of standard and custom electronic and electro - mechanical transformer and connector products.