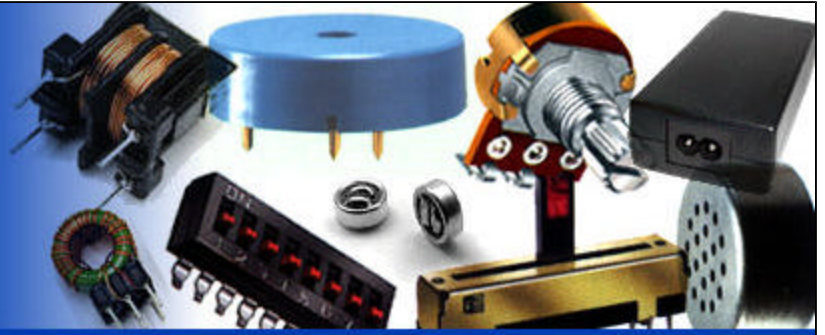


# ISL Products

Manufacturers of Quality  
Components & Assemblies



## P17080 - Piezo Transducer (External Drive)

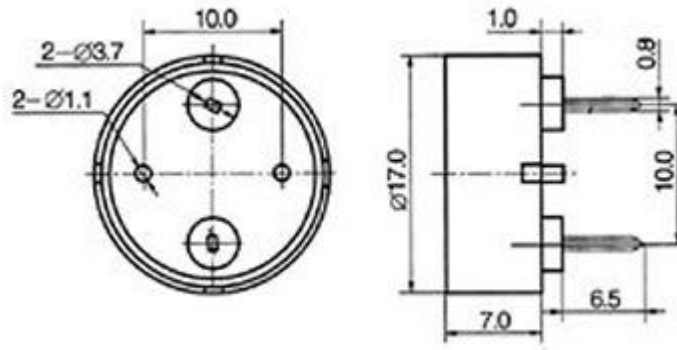


### Specifications

Rated Voltage (V)	5
Operating Voltage (V)	1~ 30
Rated Current (mA)	= 1
Capacitance at 120Hz (pF)	15000±30%
Sound Output at 4KHz,10cm (dB)	= 78
Resonant Frequency (Hz)	4000±500
Operating Temperature (°C)	-20~ +60
Storage Temperature (°C)	-30~ +70
Weight (g)	1

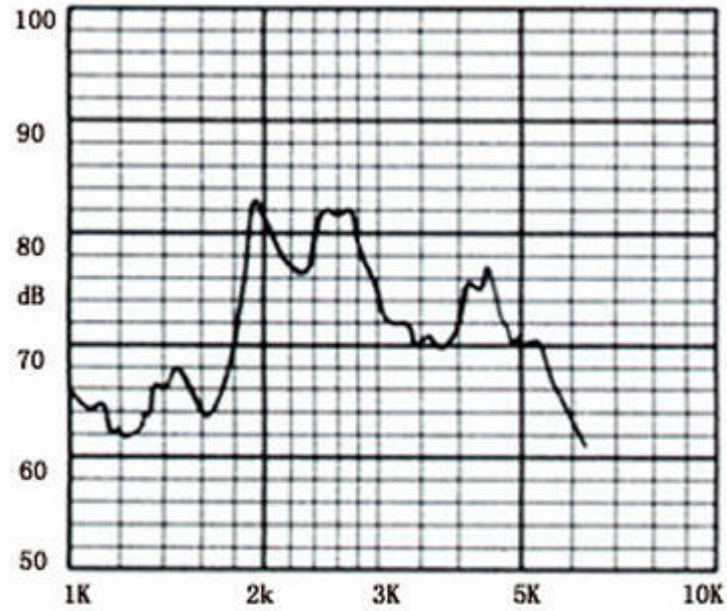
### P17080-15C-4000

### Dimensions (Unit: mm)



[Top](#)

### Frequency Response



[Top](#)

Copyright © 2003 ISL Products International, Trademarks are all property of their respective owners.

"ISL Products International Ltd. is an engineering oriented manufacturer and supplier of standard and custom electronic and electro - mechanical transformer and connector products.