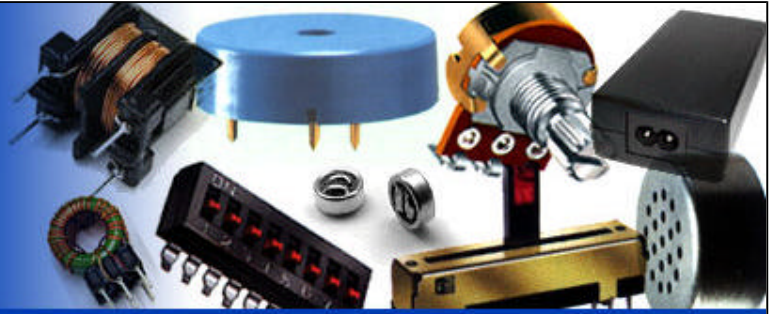


ISL Products

Manufacturers of Quality
Components & Assemblies



P13070 - Piezo Transducer (External Drive)

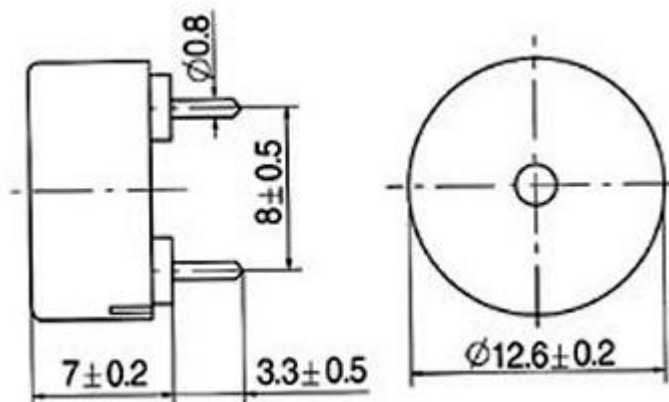


Specifications

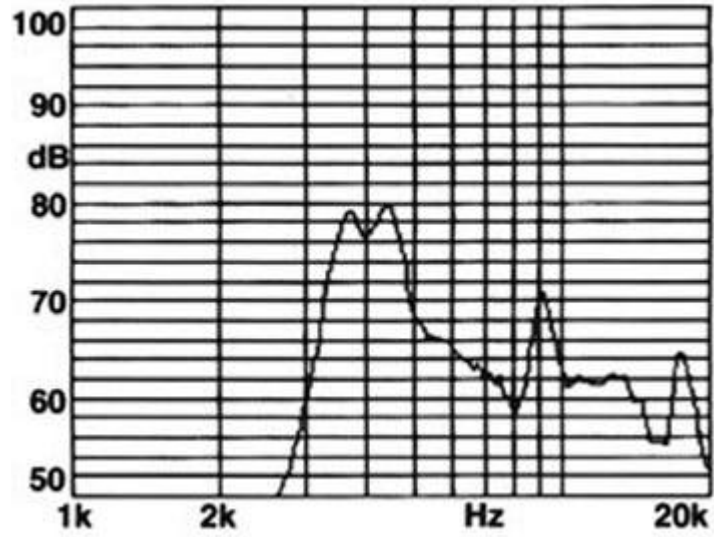
Rated Voltage (V)	3
Operating Voltage (V)	1~ 30
Rated Current (mA)	= 1
Capacitance at 120Hz(pF)	12000±30%
Sound Output at 4KHz,10cm(dB)	= 70
Resonant Frequency (Hz)	4000±500
Operating Temperature (°C)	-20~ +60
Storage Temperature (°C)	-30~ +70
Weight (g)	1

P13070-12C-4100

Dimensions (Unit: mm)



Frequency Response



Copyright © 2003 ISL Products International, Trademarks are all property of their respective owners.

"ISL Products International Ltd. is an engineering oriented manufacturer and supplier of standard and custom electronic and electro - mechanical transformer and connector products.