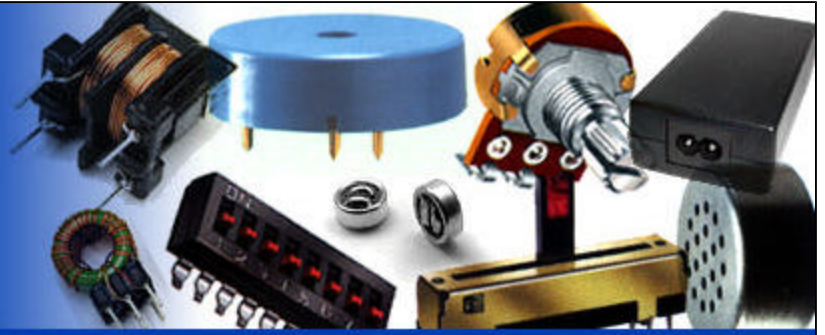


# ISL Products

Manufacturers of Quality  
Components & Assemblies



## MMES9668 - Magnetic Transducer

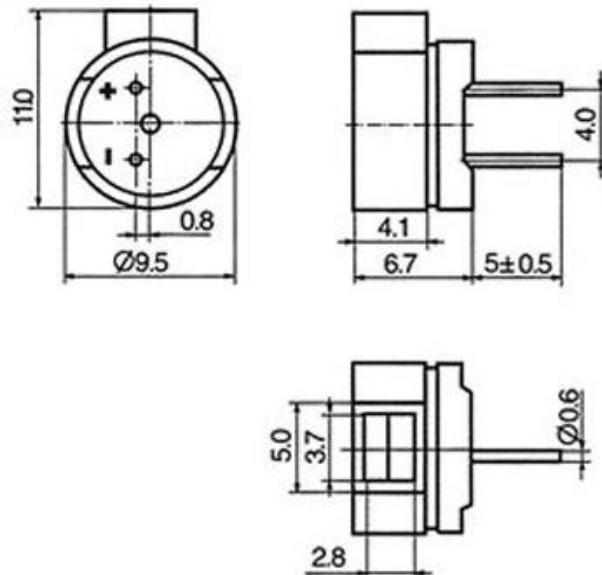


MMES9668Po-5.5R-2731

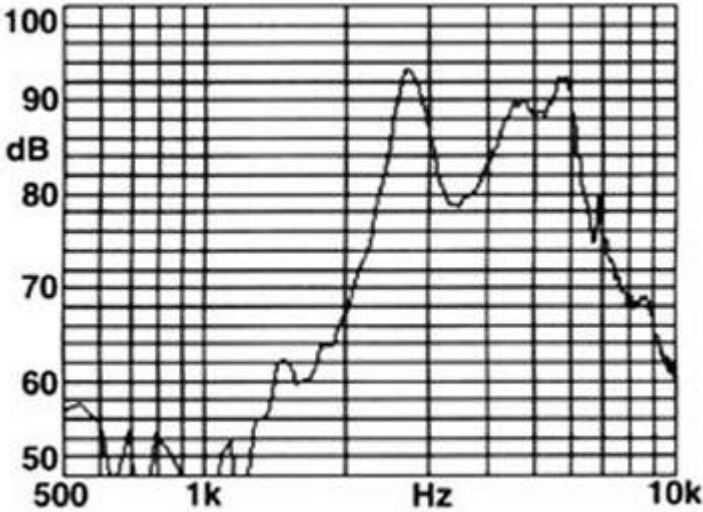
### Specifications

Rated Voltage (V)	1.5
Operating Voltage (V)	1~ 2
?Rated Current (mA)	= 80
Coil Resistance (Ω)	5.5±1
?Coil Impedance (Ω)	9.5±3
?Sound Output at 10cm(dB)	= 85
Resonant Frequency (Hz)	2731
Operating Temperature (?)	-20~ +60
Storage Temperature (?)	-30~ +70
Weight (g)	1

### Dimensions (Unit: mm)



Frequency Response



Copyright © 2003 ISL Products International, Trademarks are all property of their respective owners.

"ISL Products International Ltd. is an engineering oriented manufacturer and supplier of standard and custom electronic and electro - mechanical transformer and connector products.