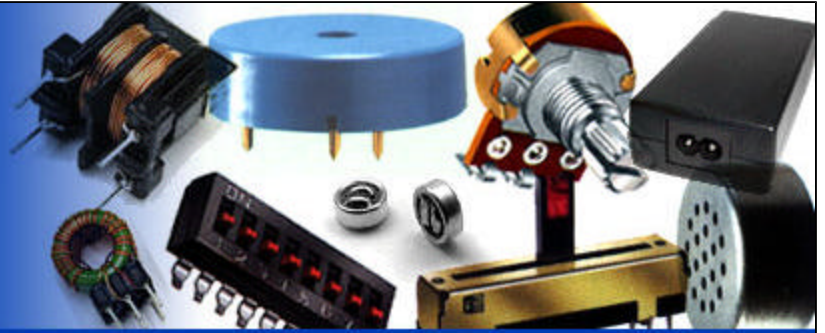


ISL Products

Manufacturers of Quality
Components & Assemblies



[Contact Us](#)

[Home](#)

[Profile](#)

[Search](#)

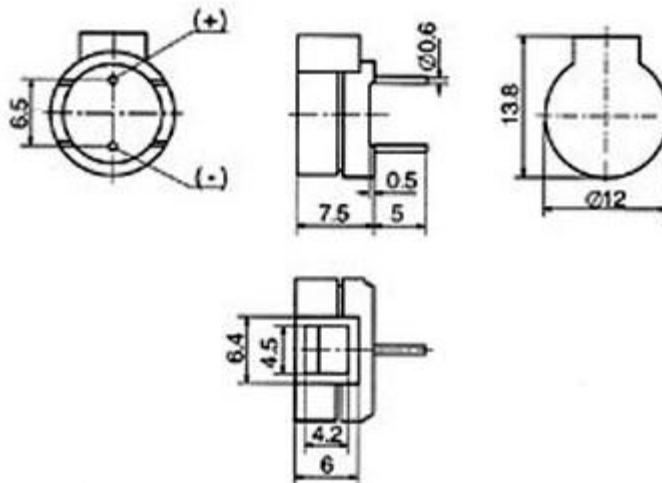
MES12075 - Magnetic Transducer



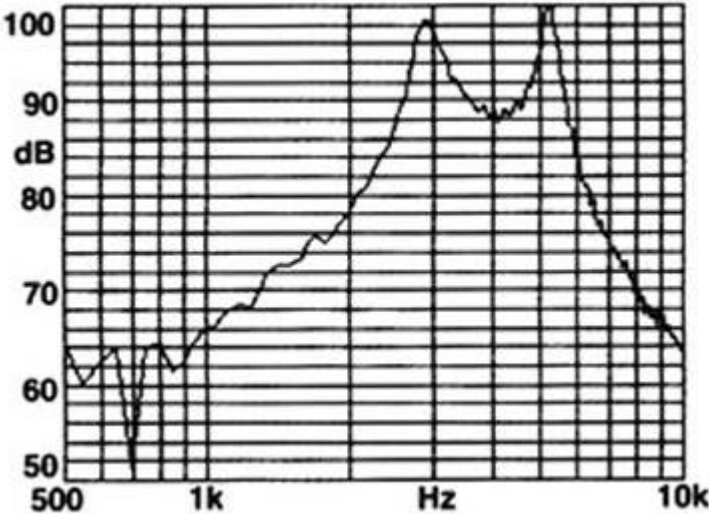
Specifications

	MES12075Po-6.5R	MES12075Po-6.5R	MES12075Po-16R
Rated Voltage (V)		1.5	
Operating Voltage (V)		1~ 2	
?Rated Current (mA)		= 70	= 30
Coil Resistance (O)		6.5±1	16±2
?Coil Impedance (O)	16	22	40
?Sound Output at 10cm(dB)	= 85	= 85	= 85
Resonant Frequency (Hz)	2048	2731	2048
Operating Temperature(?)		-25~ +70	
Storage Temperature(?)		-30~ +85	
Weight (g)		2	

Dimensions (Unit: mm)



Frequency Response



Copyright © 2003 ISL Products International, Trademarks are all property of their respective owners.

"ISL Products International Ltd. is an engineering oriented manufacturer and supplier of standard and custom electronic and electro - mechanical transformer and connector products.