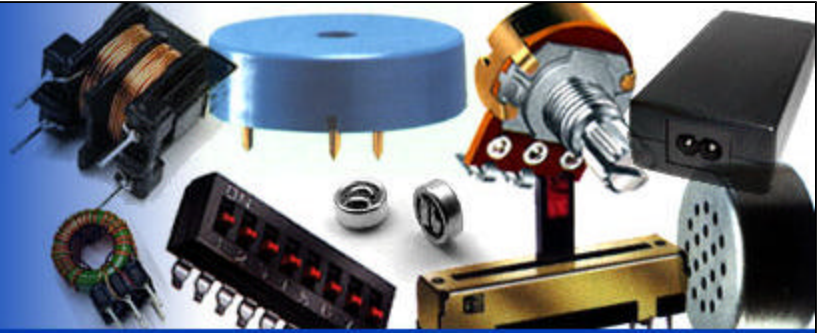


# ISL Products

Manufacturers of Quality  
Components & Assemblies



[Contact Us](#)

[Home](#)

[Profile](#)

[Search](#)

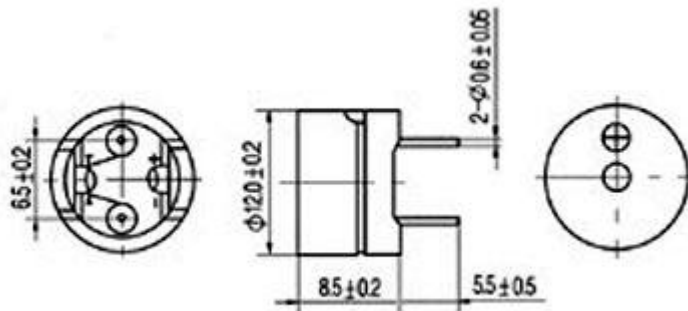
## MD12085 - Magnetic Transducer



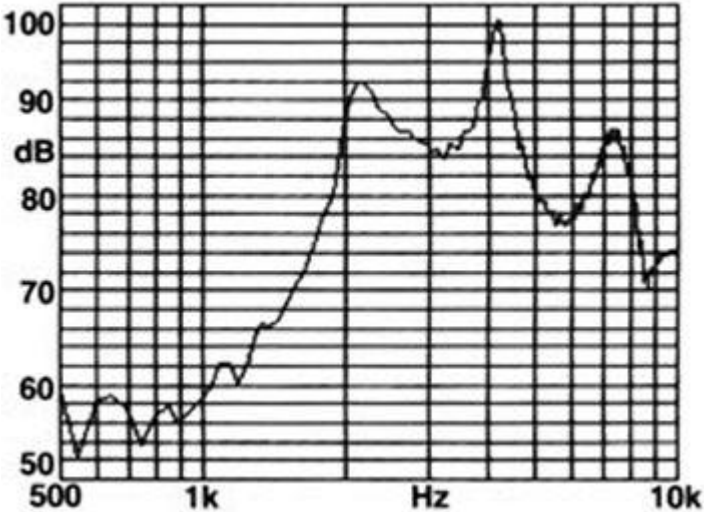
### Specifications

	MD12085-16R	MD12085-42R	MD12085-115R(12V)
Rated Voltage (V)		1.5	12
Operating Voltage (V)		1~ 2	8~ 16
?Rated Current (mA)	= 30	= 10	= 60
Coil Resistance (O)	16±4	42±6	115±15
?Coil Impedance (O)	40	120	240
?Sound Output at 10cm(dB)	= 85	= 80	= 85
Resonant Frequency (Hz)		2048	
Operating Temperature(?)		-25~ +70	
Storage Temperature(?)		-30~ +85	
Weight(g)		2	

### Dimensions (Unit: mm)



**Frequency Response**



Copyright © 2003 ISL Products International, Trademarks are all property of their respective owners.

"ISL Products International Ltd. is an engineering oriented manufacturer and supplier of standard and custom electronic and electro - mechanical transformer and connector products.