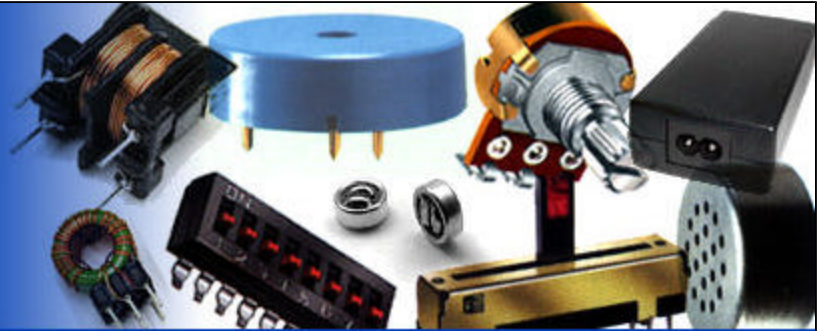


ISL Products

Manufacturers of Quality
Components & Assemblies



[Contact Us](#)

[Home](#)

[Profile](#)

[Search](#)

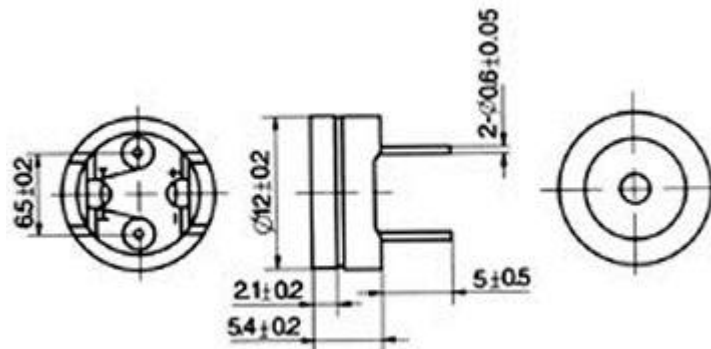
MD12054 - Magnetic Transducer



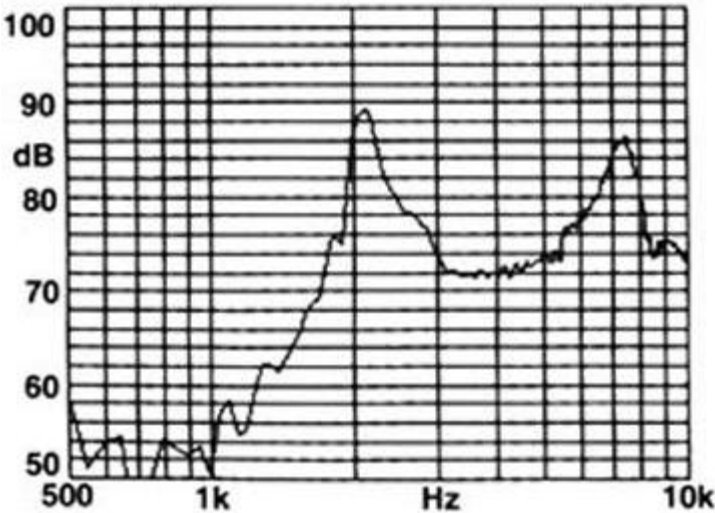
Specifications

	MD12054Po-16R	MD12054Po-42R
Rated Voltage (V)		1.5
Operating Voltage (V)	1~ 2	
?Rated Current (mA)	= 30	= 10
Coil Resistance (O)	16±4	42±6
?Coil Impedance (O)	40	120
?Sound Output at 10cm(dB)	= 75	= 70
Resonant Frequency (Hz)		2048
Operating Temperature(?)		-25~ +70
Storage Temperature(?)		-30~ +85
Weight (g)		2

Dimensions (Unit: mm)



Frequency Response



Copyright © 2003 ISL Products International, Trademarks are all property of their respective owners.

"ISL Products International Ltd. is an engineering oriented manufacturer and supplier of standard and custom electronic and electro - mechanical transformer and connector products.