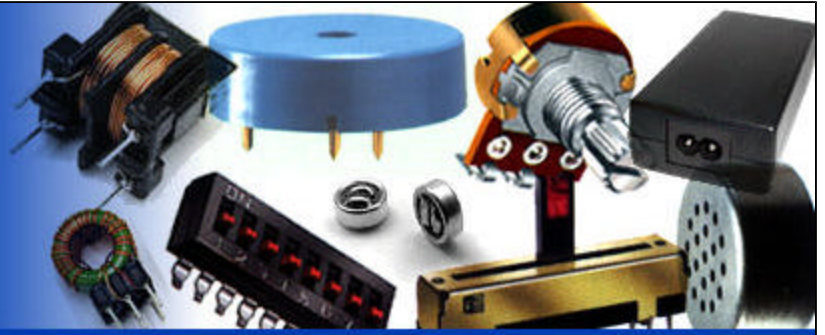


ISL Products

Manufacturers of Quality
Components & Assemblies



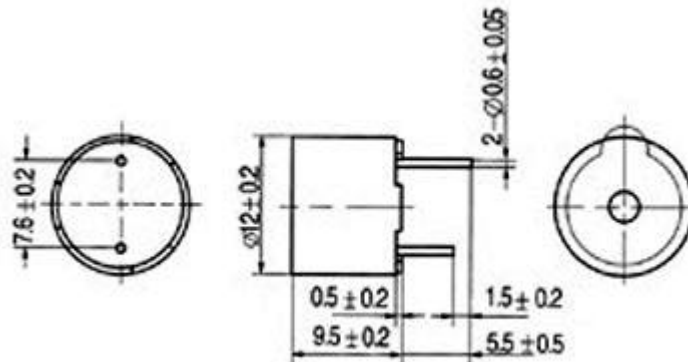
MCW12095 - Magnetic Transducer



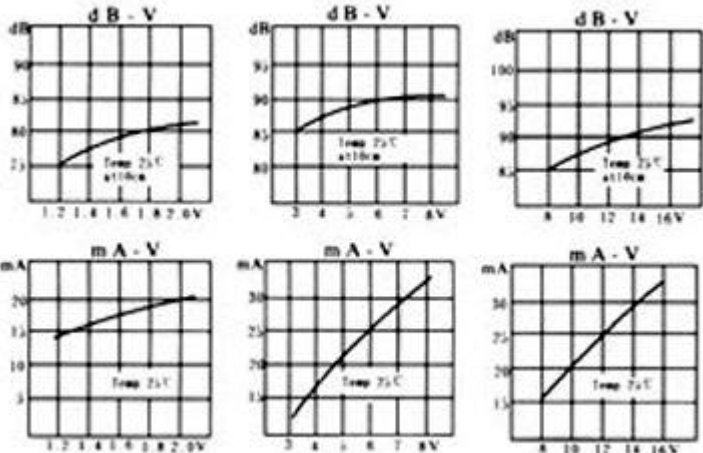
Specifications

	MCW12095N-1.5V	MCW12095N-3V	MCW12095N-6V	MCW12095N-9V	MCW12095N-12V
Rated Voltage (V)	1.5	3	6	9	12
Operating Voltage (V)	1.3~ 2	2~ 5	4~ 7	7~ 11	8~ 15
?Rated Current (mA)	= 20	= 30			
?Sound Output at 10cm(dB)	= 75	= 82	= 85		
?Resonant Frequency (Hz)	2300±400		2300±800		
?Resonant Time (ms)	= 50				
Operating Temperature(?)	-25~ +80				
Storage Temperature(?)	-30~ +80				
Weight (g)	2				

Dimensions (Unit: mm)



Frequency Response



Copyright © 2003 ISL Products International, Trademarks are all property of their respective owners.

"ISL Products International Ltd. is an engineering oriented manufacturer and supplier of standard and custom electronic and electro - mechanical transformer and connector products.