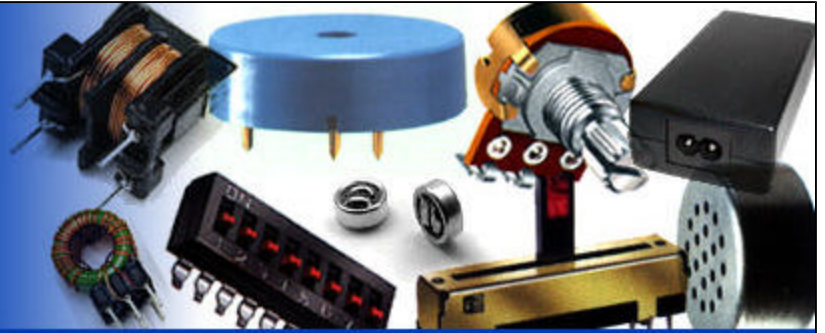


ISL Products

Manufacturers of Quality
Components & Assemblies



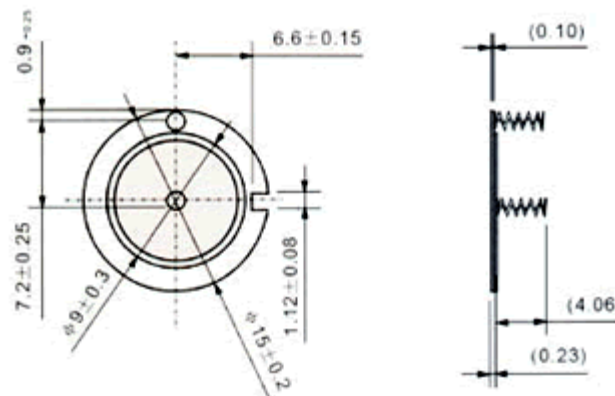
FT-15T- 4.5A1- Spring - Piezo Ceramic Buzzer Element

Specifications of Spring

Material	Resonant frequency (KHz)	Resonant resistance (O)	DC resistance at 30Vdc (MO)	Electrostatic capacitance (pF)	Max. input Voltage (Vp-p)
Brass	4.5±0.6	< 500	100	7000±30	30

1. Material: stainless steel, 0.15±0.02mm;
2. Outer diameter of spring: 1.5 mm;
3. Total coils: 7;
4. Active coils: 5;
5. Free height of spring:4.06mm;
6. Compressed height of spring: about 1.0mm;
7. Load characteristics:
 - ? be compressed to 2.54 mm upon a force of 60±10g
 - ? be compressed to 1.52 mm upon a force of 100±15g
8. Free ends of the spring should be closed square;
9. Spring should be perpendicular to within 10 angle of piezo element/brass plate;
10. Spring to be attached to the plates, resistance through attachment to be less than 100O, with a breakaway force greater than 60 grams.

Dimensions (Unit: mm)



Copyright © 2003 ISL Products International, Trademarks are all property of their respective owners.

"ISL Products International Ltd. is an engineering oriented manufacturer and supplier of standard and custom electronic and electro - mechanical transformer and connector products.